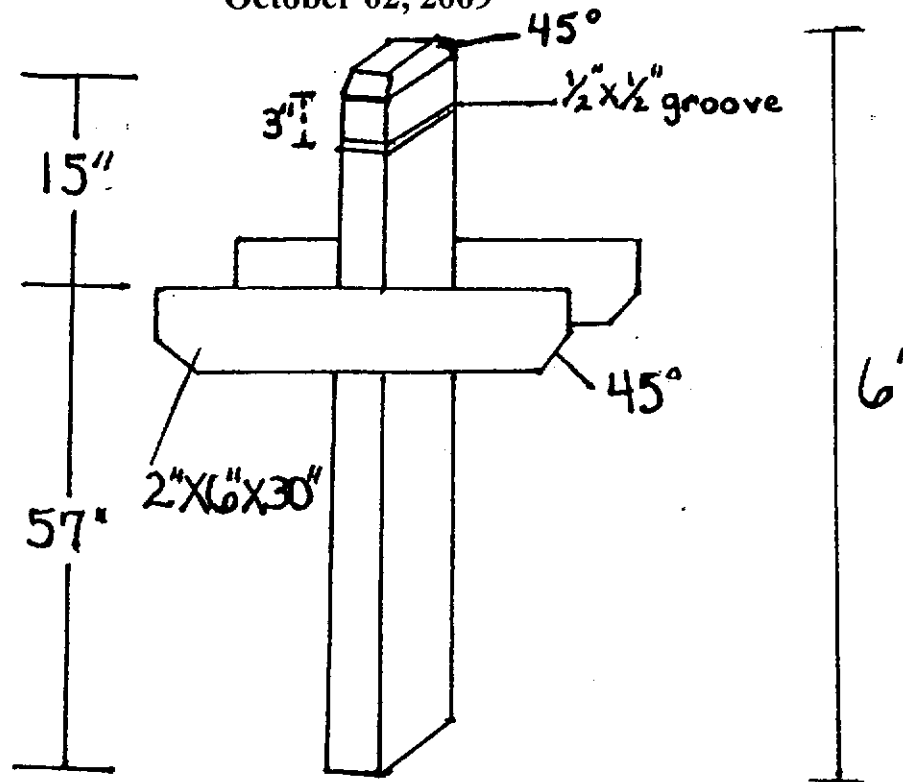


**1<sup>st</sup> Amended Highland Shores Mailbox Construction Specifications**  
**October 02, 2009**



**HIGHLAND SHORES MAILBOX CONSTRUCTION SPECS**

4"X6"X6' Wood Post

Post to be set in concrete

Standard approved mail boxes will be centered on the 2"X6" supports and secured to a 6"X16" cedar bracket

Recommend bottom 6 inches of support post be protected by 26 gauge copper or aluminum flashing

MAILBOX: Standard size U S mailbox, available at Lowes.

Brand: Postmaster; Color: Gray; Style: T1 Standard Rural Mailbox

MAILBOX POST: Acceptable mailbox post paint colors:

Sherwin Williams	SW7072 Online
BEHR Premium Plus	770E-3p Pewter Mug
Waverly Home Classics (Lowes)	WV38006 Porch Grey
Glidden	30BB 45/015 Surreal Blue

**Address numbers on the post must be black color only.**

**(Adhesive numbers not permitted.)**